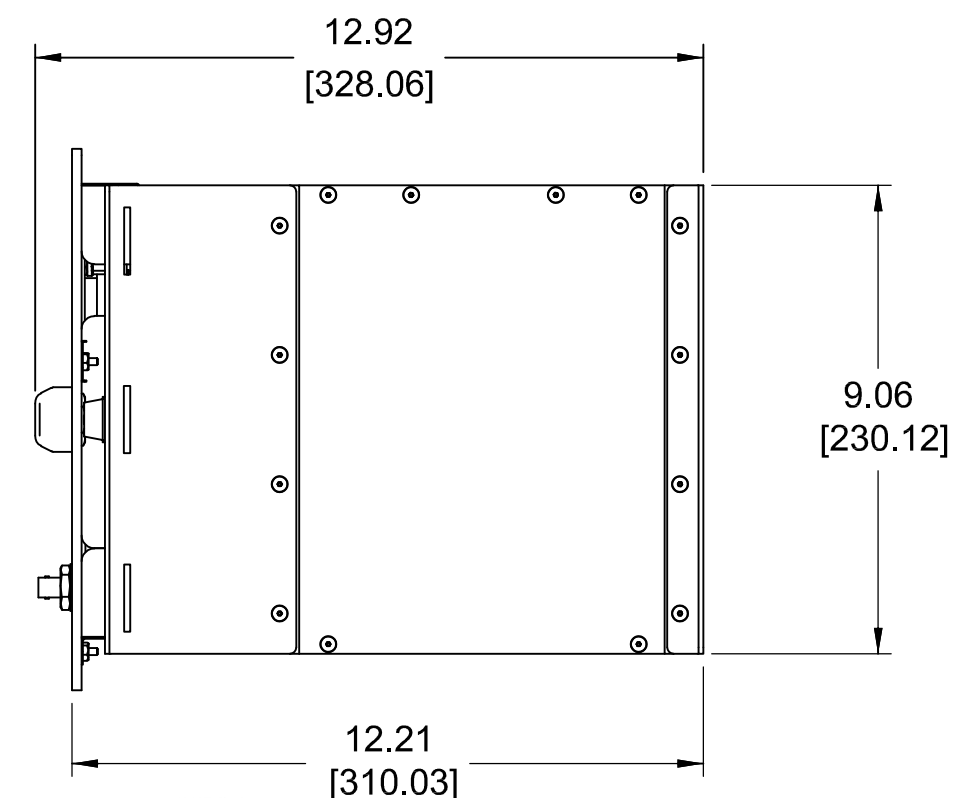
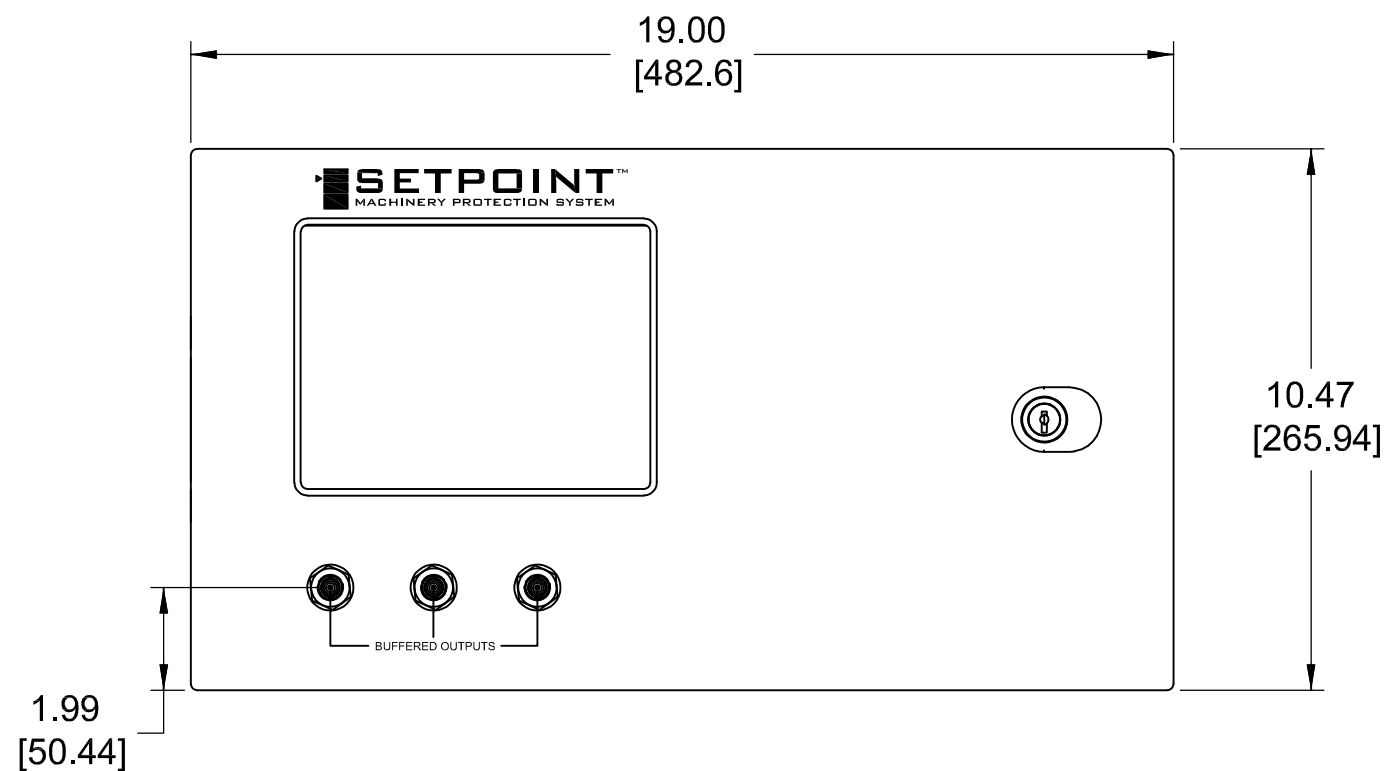


16 SLOT RACK

REVISIONS	
REV	CR/CHANGE
A	RELEASE
B	ADD 4 SLOT VERSION; TMM WIRING
C	CORRECTED UMM WIRE COLORS
D	CR1031, ADDED REV BLOCK
E	REVERSE MTG. OPTION ADDED
F	REMOVE METRIX LOGOS
001	SWITCH TO BK VIBRO INFO



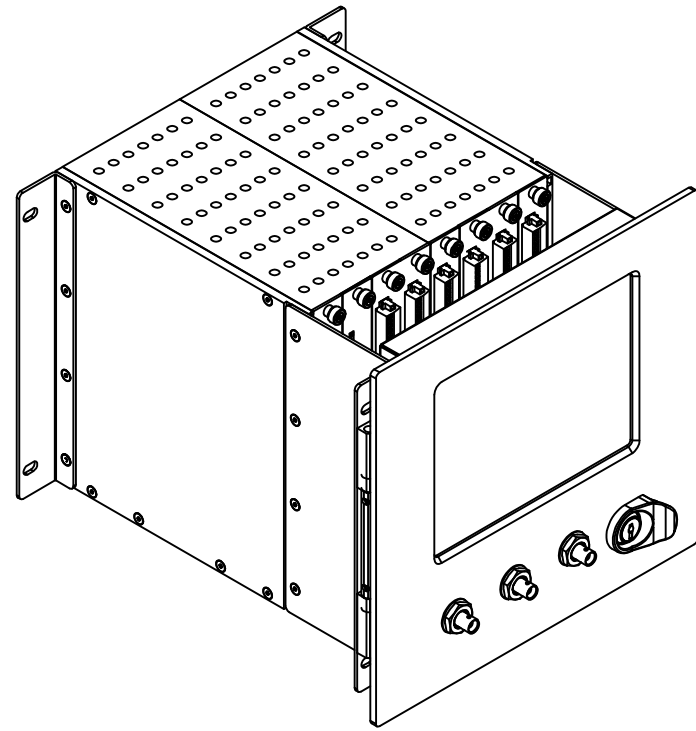
This drawing is related to an Ex Schedule drawing. No changes are allowed without review by the Technical Liaison.

OLD MATERIAL NUMBER: 1089867

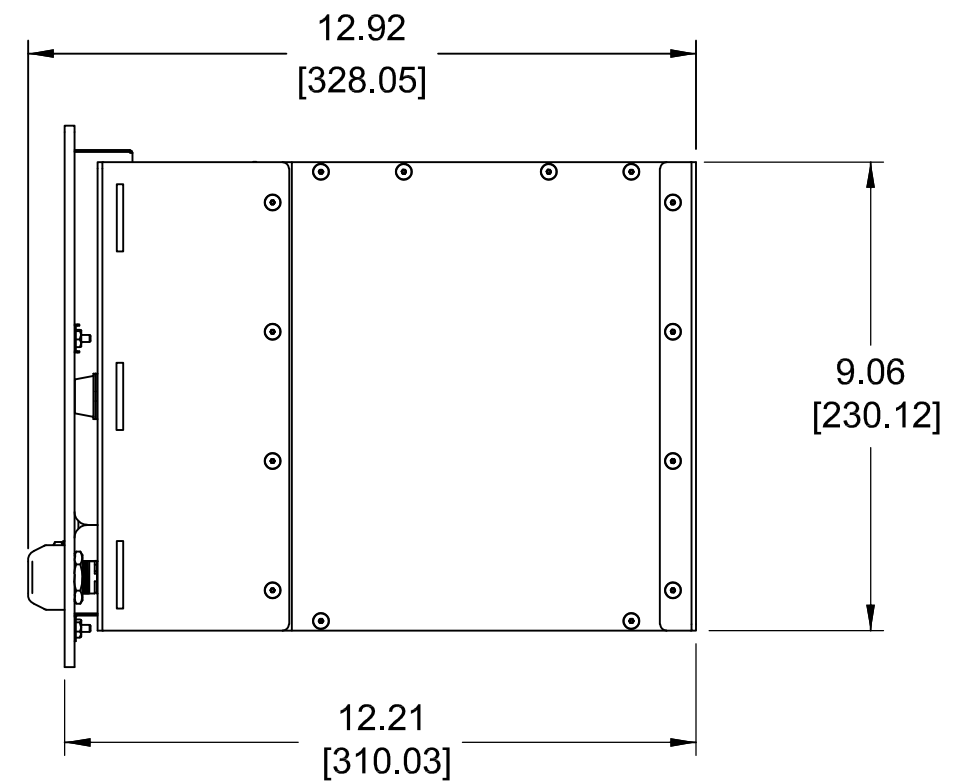
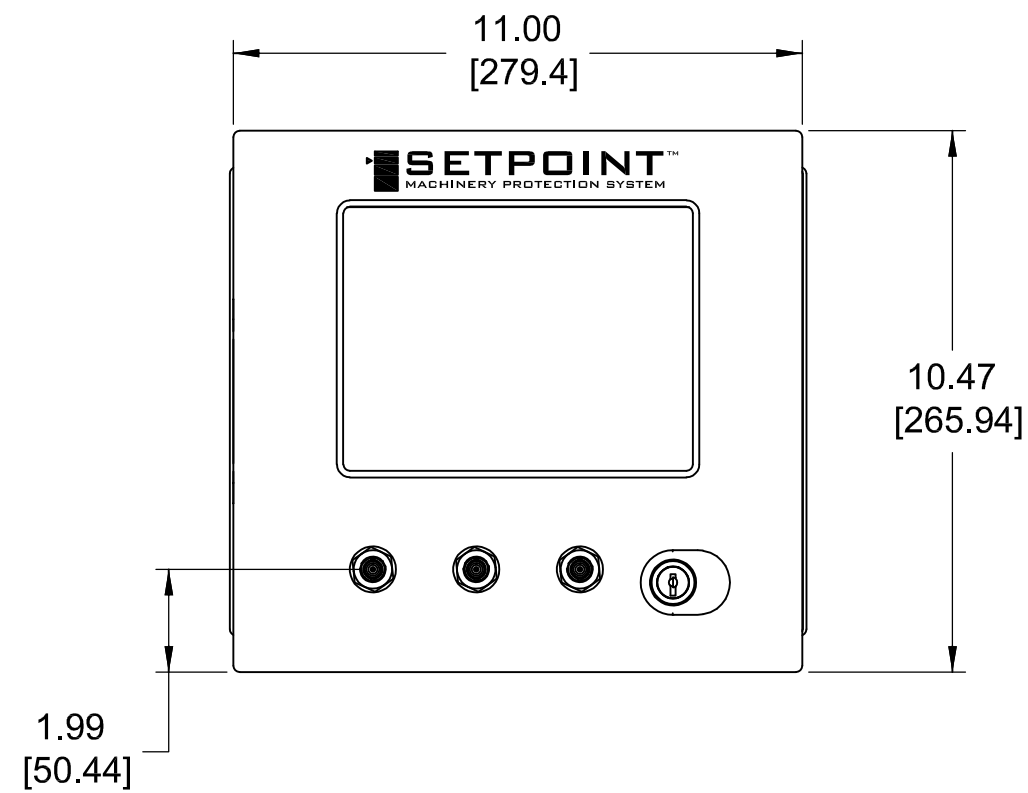
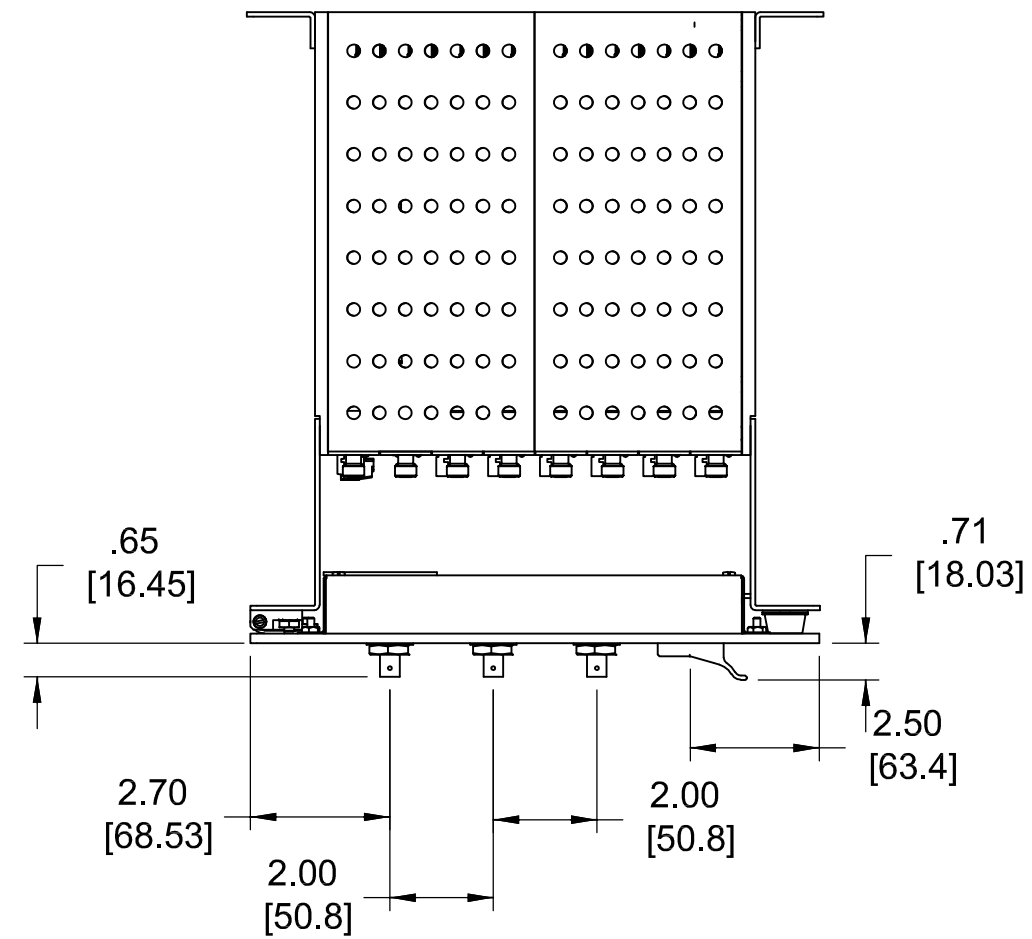
MATERIAL:	UNLESS OTHERWISE SPECIFIED DIMENSIONS ARE IN INCHES. ALL CORNERS BROKEN TO .010 MIN RADIUS AND TOLERANCES ARE:	APPROVALS		DATE
		DRAWN BY:	A. Wilson	08-17-11
FINISH:	FRACTIONS: DECIMALS: ±1/64 .XX ±.01 ANGLES: .XXX ±.005	CHECKED BY:	S. Smith	08-19-11
		APPROVED BY:	M. Nelson	08-19-11
THIS DOCUMENT AND ALL INFORMATION HEREON IS THE PROPERTY OF BK VIBRO AMERICA INC. APPROVAL MUST BE OBTAINED BEFORE IT IS REPRODUCED OR INFORMATION HEREON IS ISSUED TO A THIRD PARTY. THIS DOCUMENT MUST BE RETURNED UPON REQUEST.	SURFACE FINISH 64	VC-8000	APPROVALS	
		NEXT ASSY USED ON	DATE	
APPLICATION		DO NOT SCALE DRAWING	SCALE: 1:1	DOCUMENT NO.: S1089867
VC-8000/RCK, OUTLINE & DIMENSION		PART NO.: 1089867	REV. 001	SHEET: 1 of 17

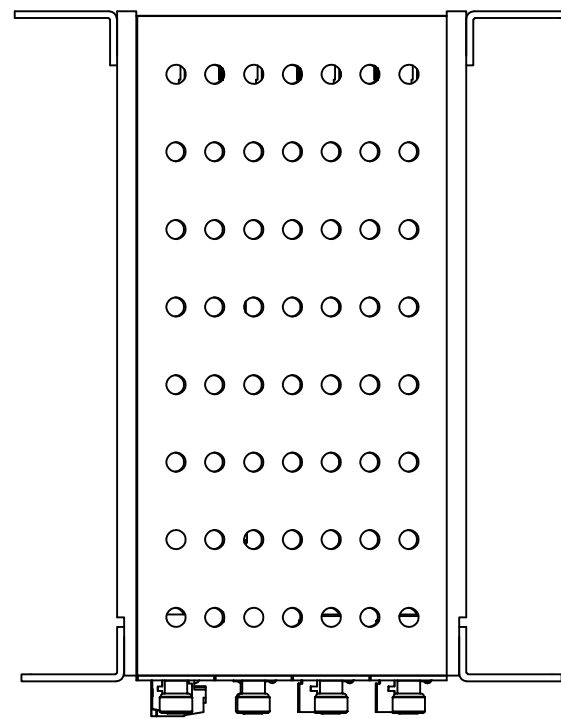
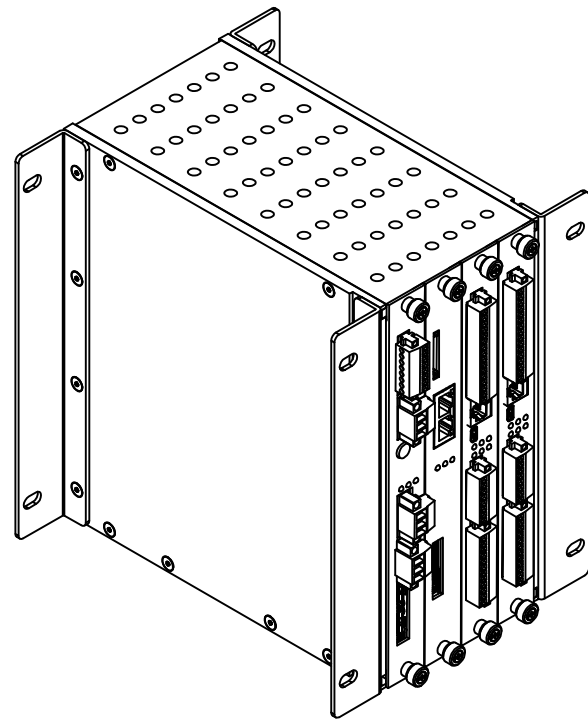


VC-8000/RCK, OUTLINE & DIMENSION

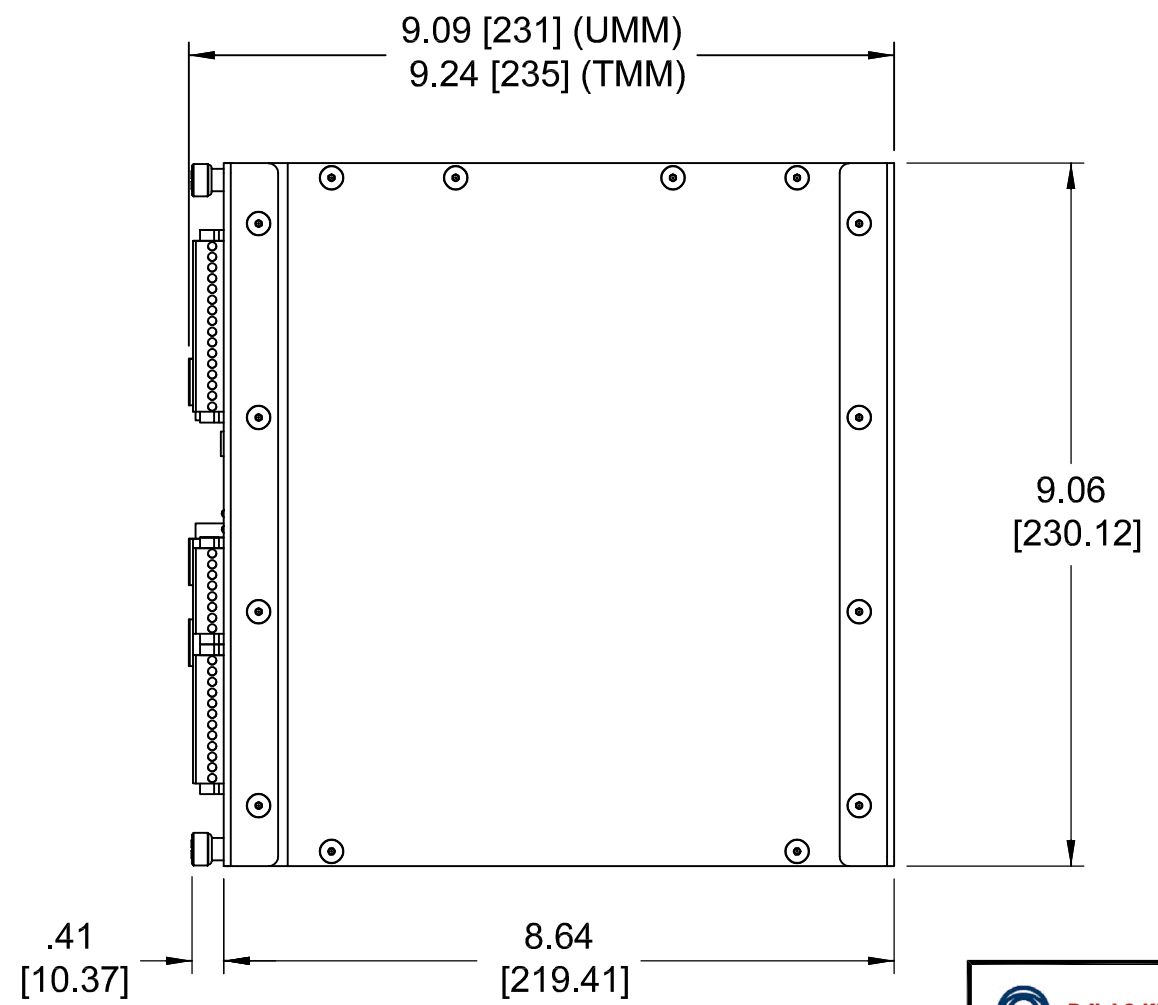
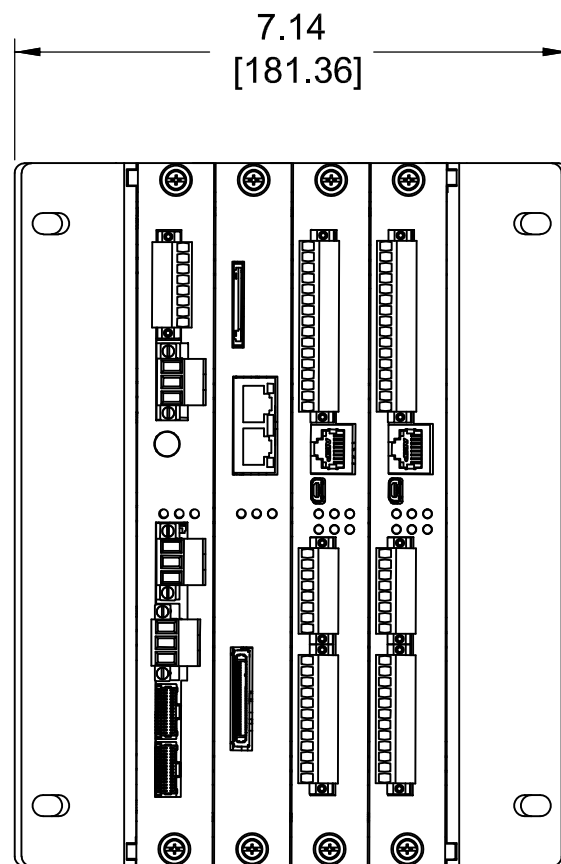


8 SLOT RACK



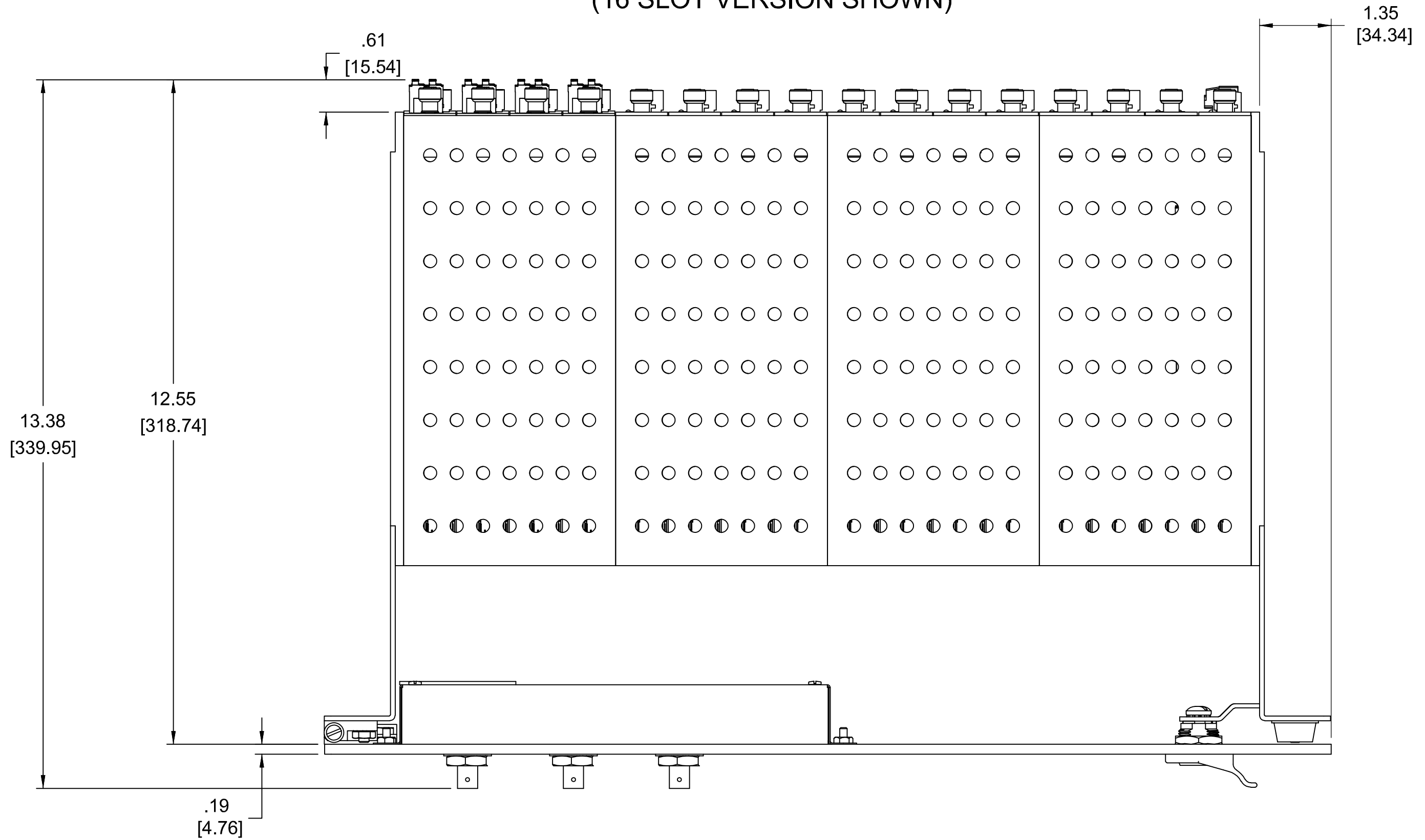


4 SLOT RACK



		BK VIBRO AMERICA INC. MINDEN, NV USA
VC-8000/RCK OUTLINE & DIMENSION		
SIZE B	PART NO: 1089867	REV. 001
SCALE: 1:1	DOCUMENT NO.: S1089867	SHEET: 3 of 17

REVERSE MODULE INSERTION OPTION (16 SLOT VERSION SHOWN)

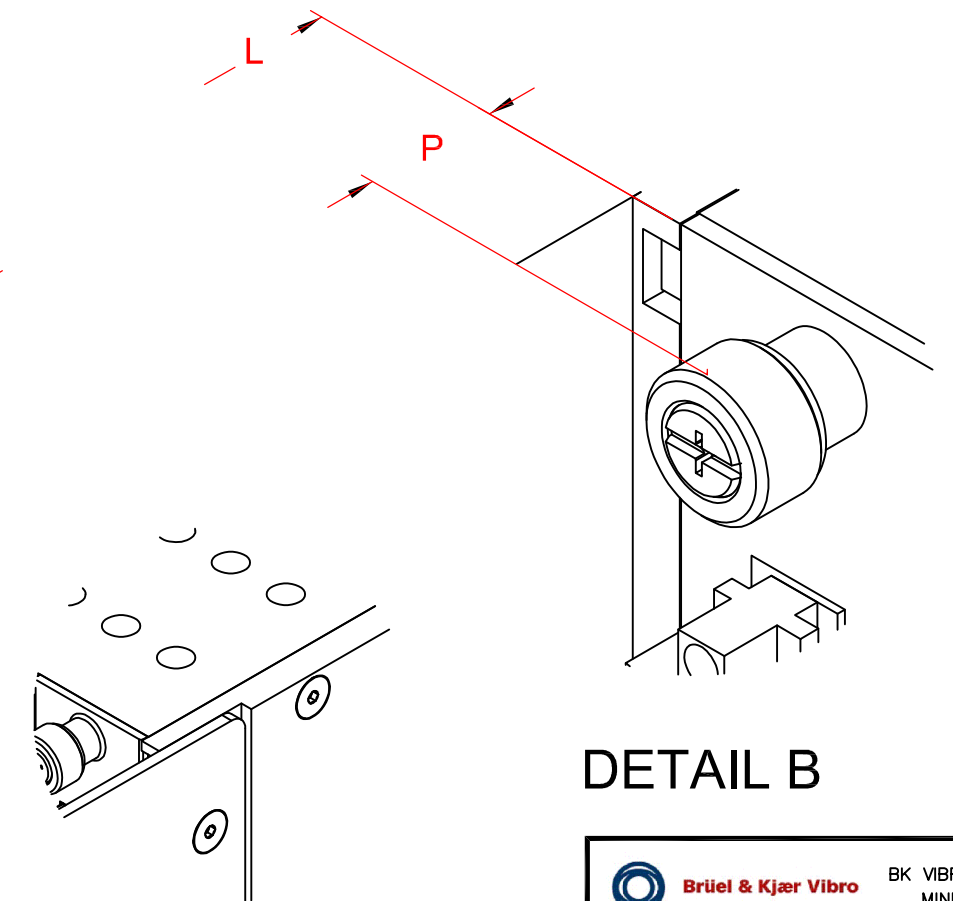
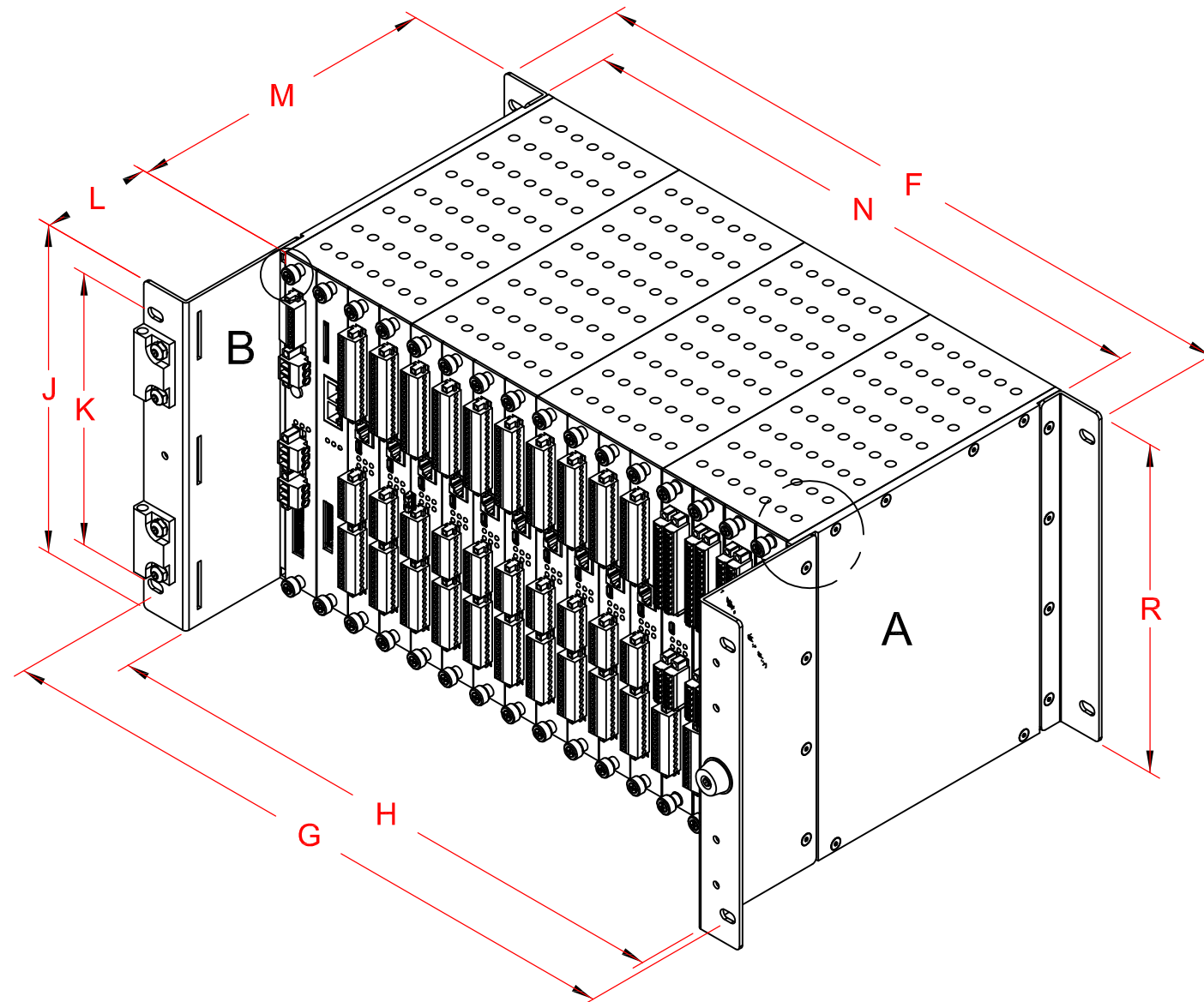
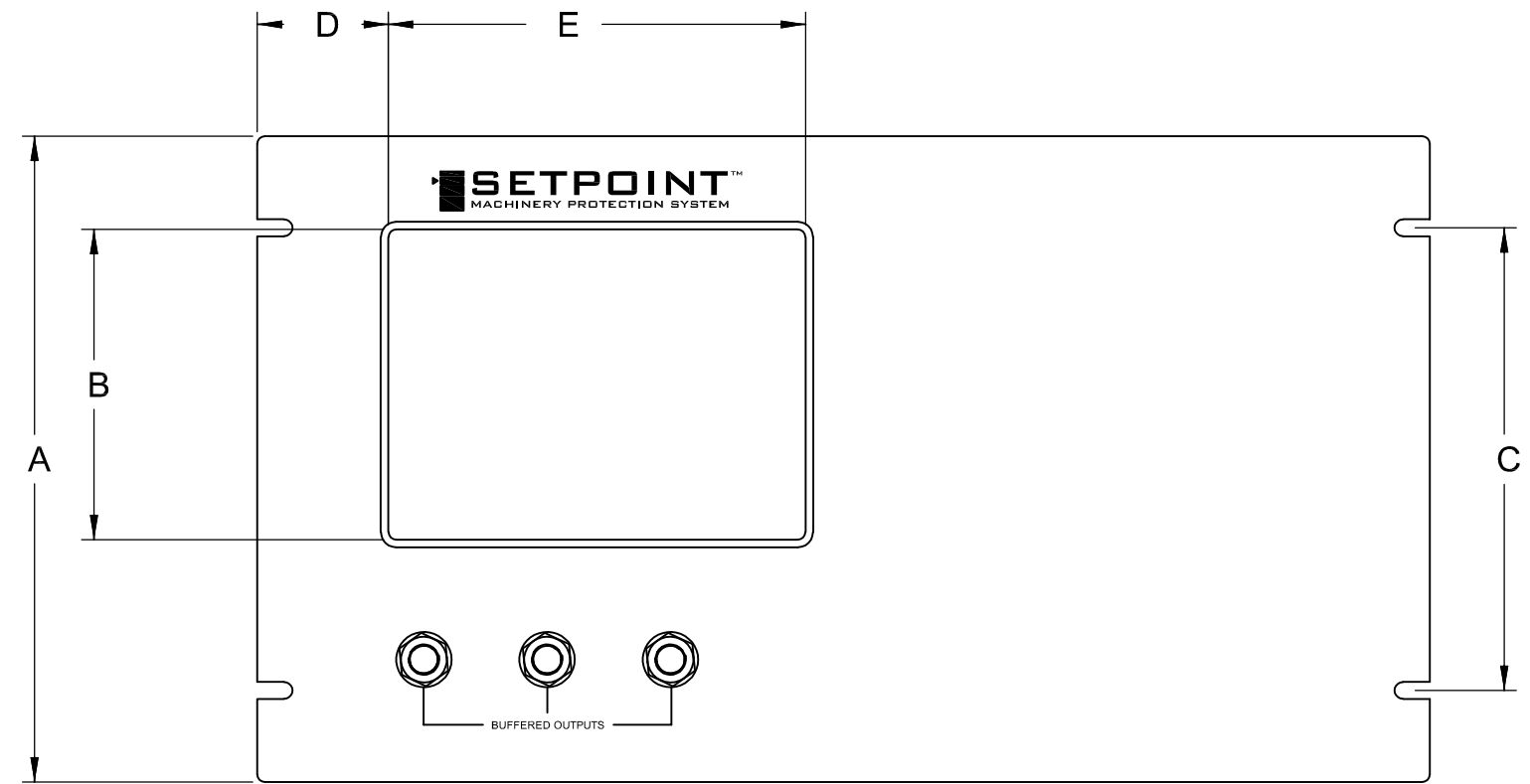


Briel & Kjaer Vibro		BK VIBRO AMERICA INC. MINDEN, NV USA
VC-8000/RCK OUTLINE & DIMENSION		
SIZE	PART NO:	REV.
B	1089867	001
SCALE: 1:1	DOCUMENT NO.: S1089867	SHEET: 4 of 17

Dim.	16P Rack	8P Rack	4P Rack
A	10.47' (266 mm)	Same as 16P	See Note 3
B	5.16' (131 mm)	Same as 16P	See Note 3
C	7.50' (191 mm)	Same as 16P	See Note 3
D	2.82' (72 mm)	Same as 16P	See Note 3
E	6.80' (173 mm)	Same as 16P	See Note 3
F	19.00' (483 mm)	11.00' (279 mm)	7.00' (178 mm)
G	18.25' (463 mm)	10.25' (260 mm)	6.25' (159 mm)
H	16.32' (415 mm)	8.32' (211 mm)	4.32' (110 mm)
J	9.06' (230 mm)	Same as 16P	Same as 16P
K	7.50' (191 mm)	Same as 16P	Same as 16P
L	2.95' (75 mm)	Same as 16P	See note 3
M	8.56' (217 mm)	Same as 16P	Same as 16P
N	16.50' (419 mm)	8.50' (216 mm)	4.50' (114 mm)
P	0.32' (8 mm)	Same as 16P	Same as 16P
R	9.06' (230 mm)	Same as 16P	Same as 16P

NOTES:

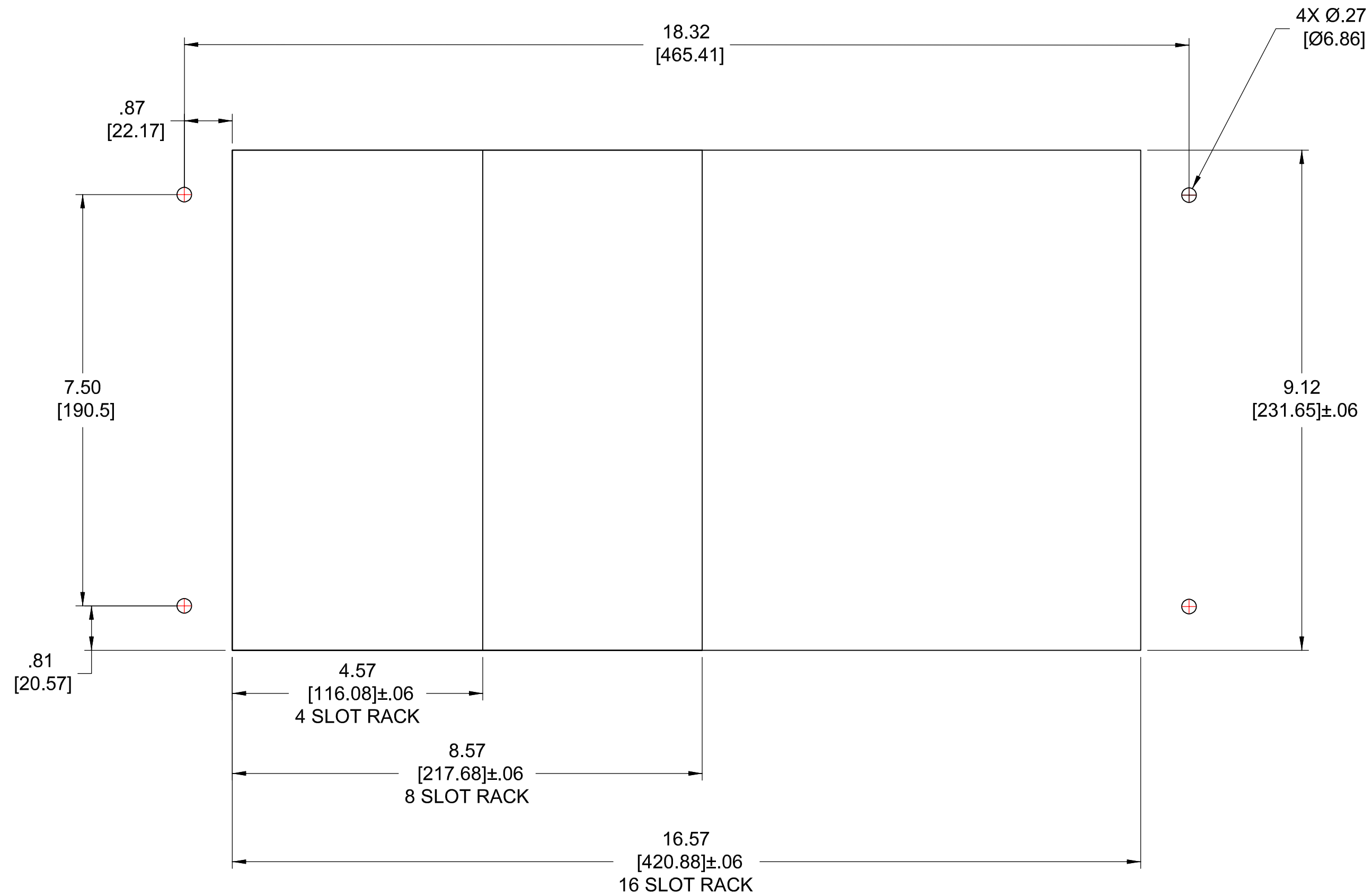
1. L dimension assumes recessed-style mounting brackets (used with optional faceplate). Racks supplied without a faceplate use flush-mount brackets (L=0). The captive screws used to retain modules in their slots will protrude by amount shown (dimension P). Total system depth when flush-mount brackets are used is dimension M+P.
2. Total system depth when optional locking faceplate is fitted to front of rack is L + M + 1.41" (36mm). Faceplate thickness (1.41") includes hinge and keylock/BNC connector protrusions.
3. Quarter rack not available with faceplate and uses only flush-mount brackets (L=0). Total system depth is M+P.




DETAIL A

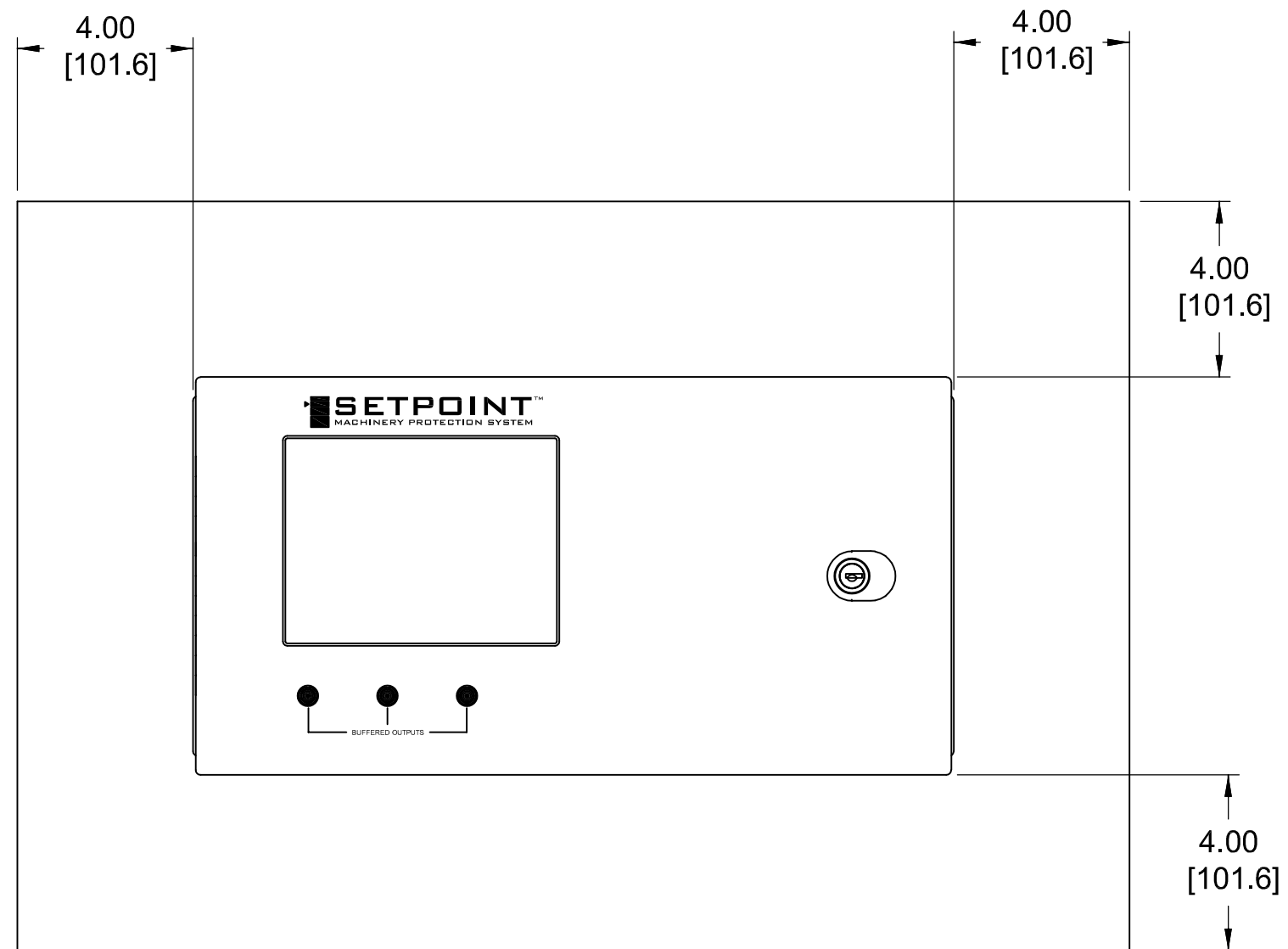
DETAIL B

		BK VIBRO AMERICA INC. MINDEN, NV USA
VC-8000/RCK OUTLINE & DIMENSION		
SIZE B	PART NO.: 1089867	REV. 001
SCALE: 1:1	DOCUMENT NO.: S1089867	SHEET: 5 of 17



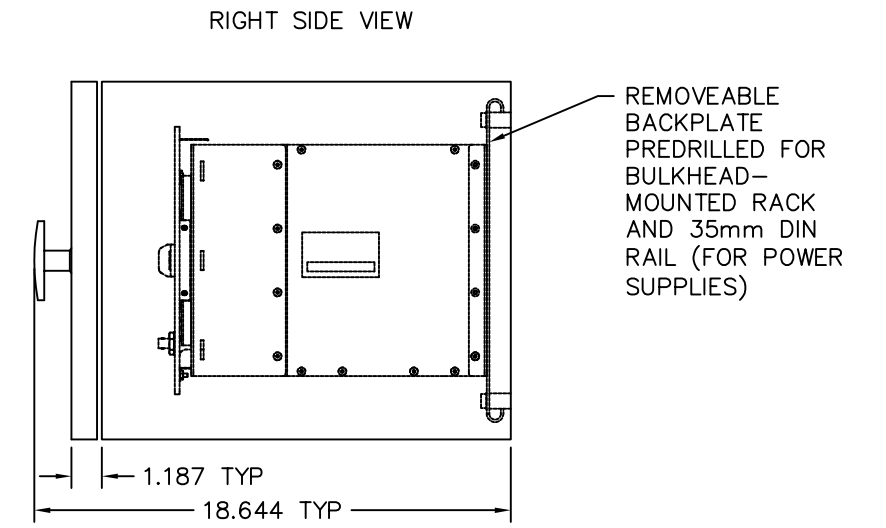
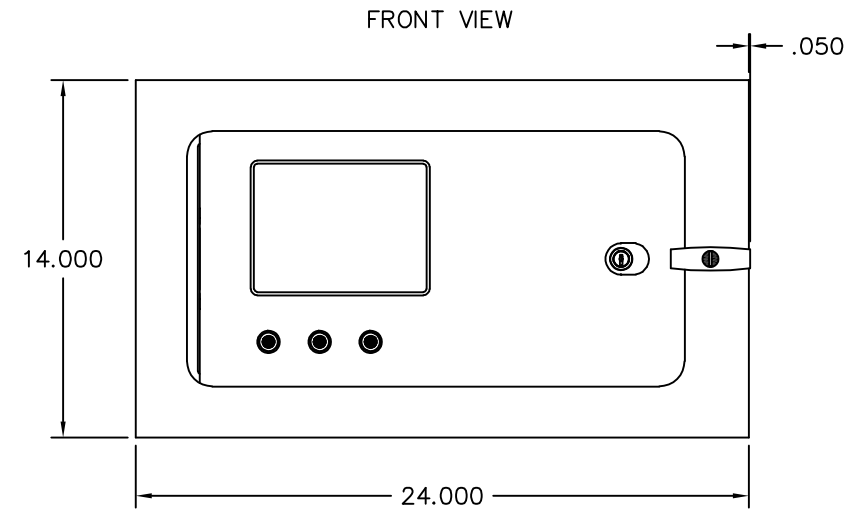
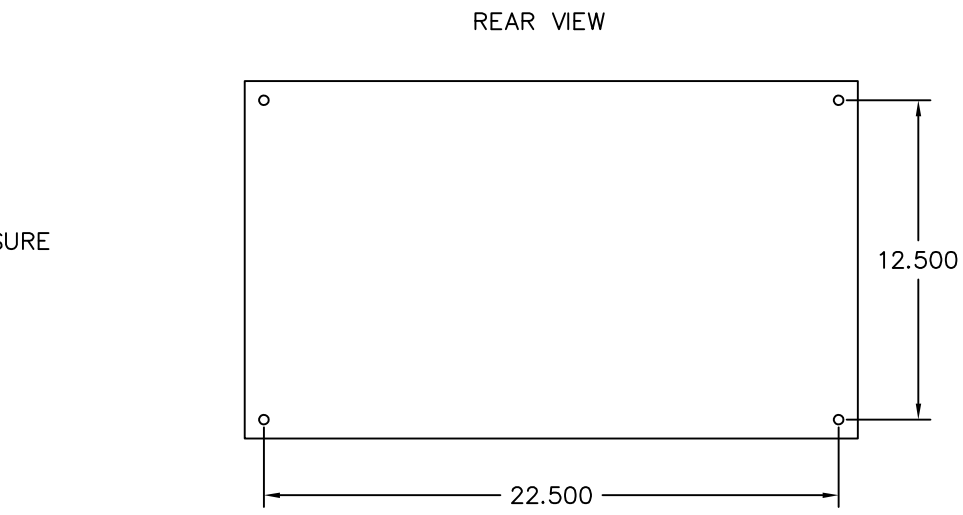
PANEL CUT-OUT DIMENSIONS

 Briel & Kjaer Vibro		BK VIBRO AMERICA INC. MINDEN, NV USA
VC-8000/RCK OUTLINE & DIMENSION		
SIZE B	PART NO: 1089867	REV. 001
SCALE: 1:1	DOCUMENT NO.: S1089867	SHEET: 6 of 17

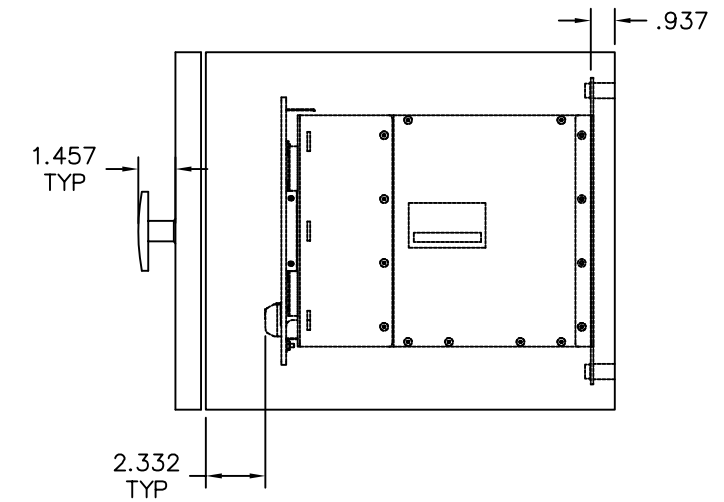
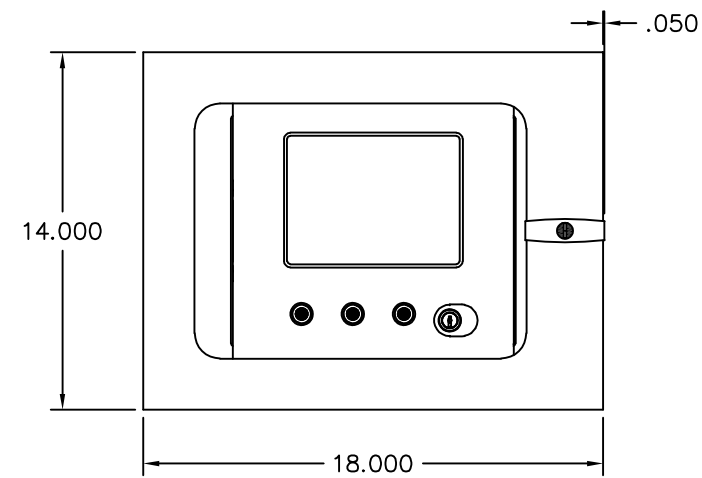
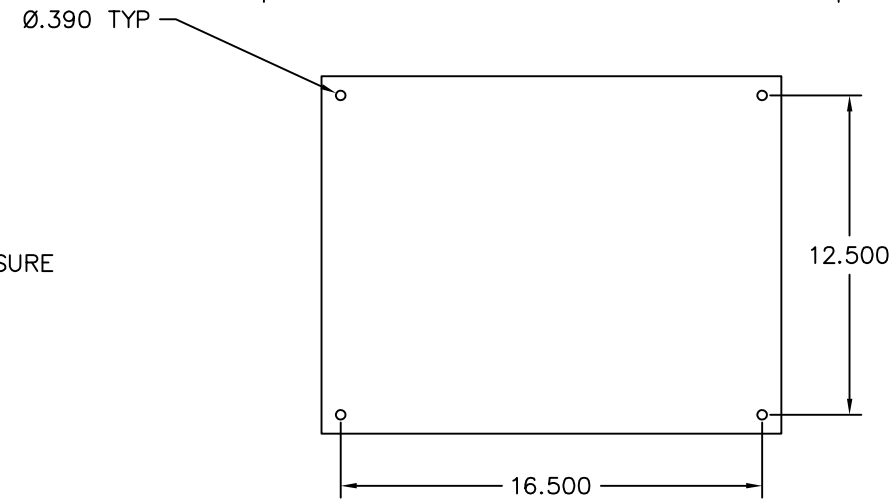


BULK HEAD MOUNT CLEARANCE DIMENSIONS

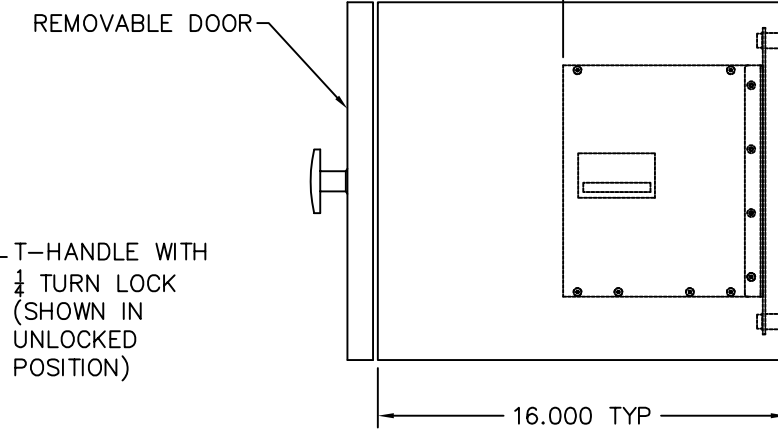
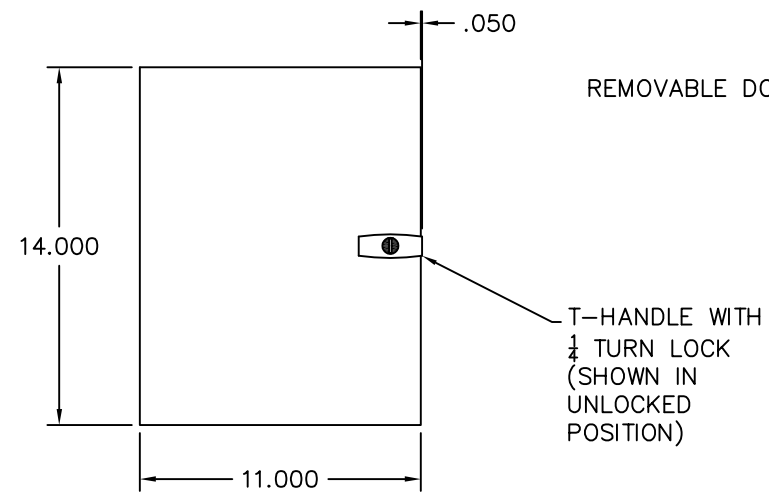
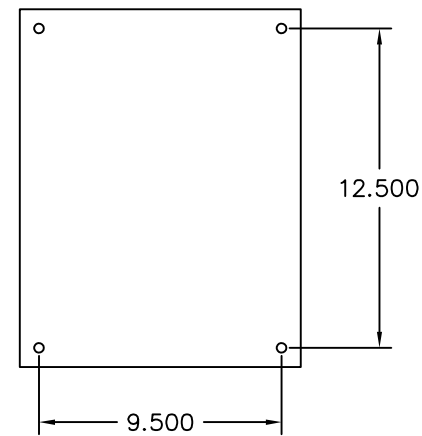
FULL SIZE ENCLOSURE



HALF SIZE ENCLOSURE



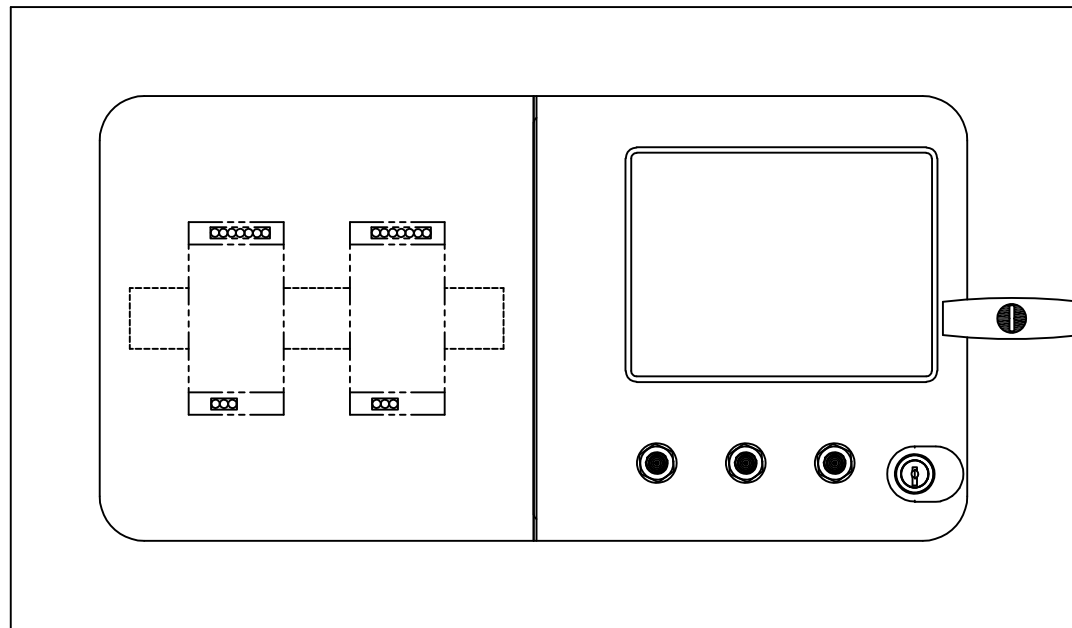
QUARTER SIZE ENCLOSURE



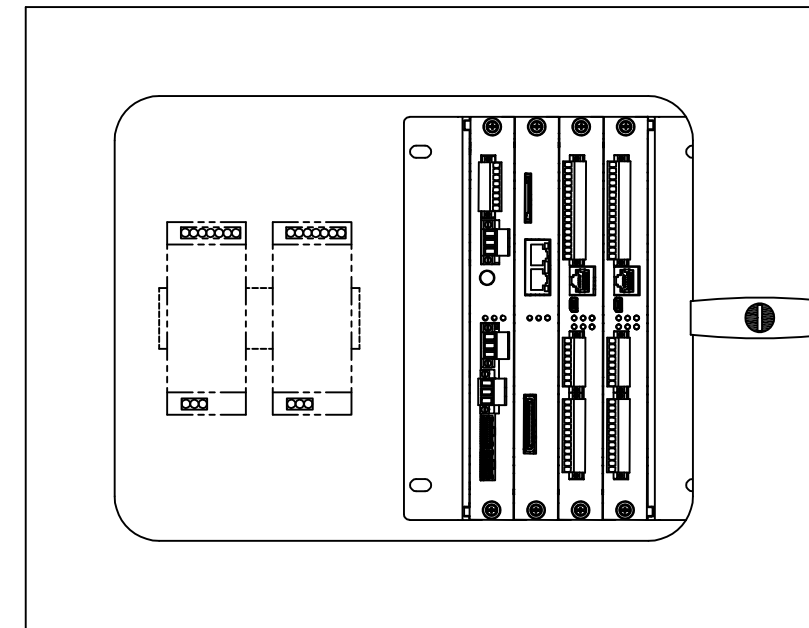
VC-8000/WPH WEATHERPROOF ENCLOSURE

		BK VIBRO AMERICA INC. MINDEN, NV USA
VC-8000/RCK OUTLINE & DIMENSION		
SIZE B	PART NO.: 1089867	REV. 001
SCALE: 1:1	DOCUMENT NO.: S1089867	SHEET: 8 of 17

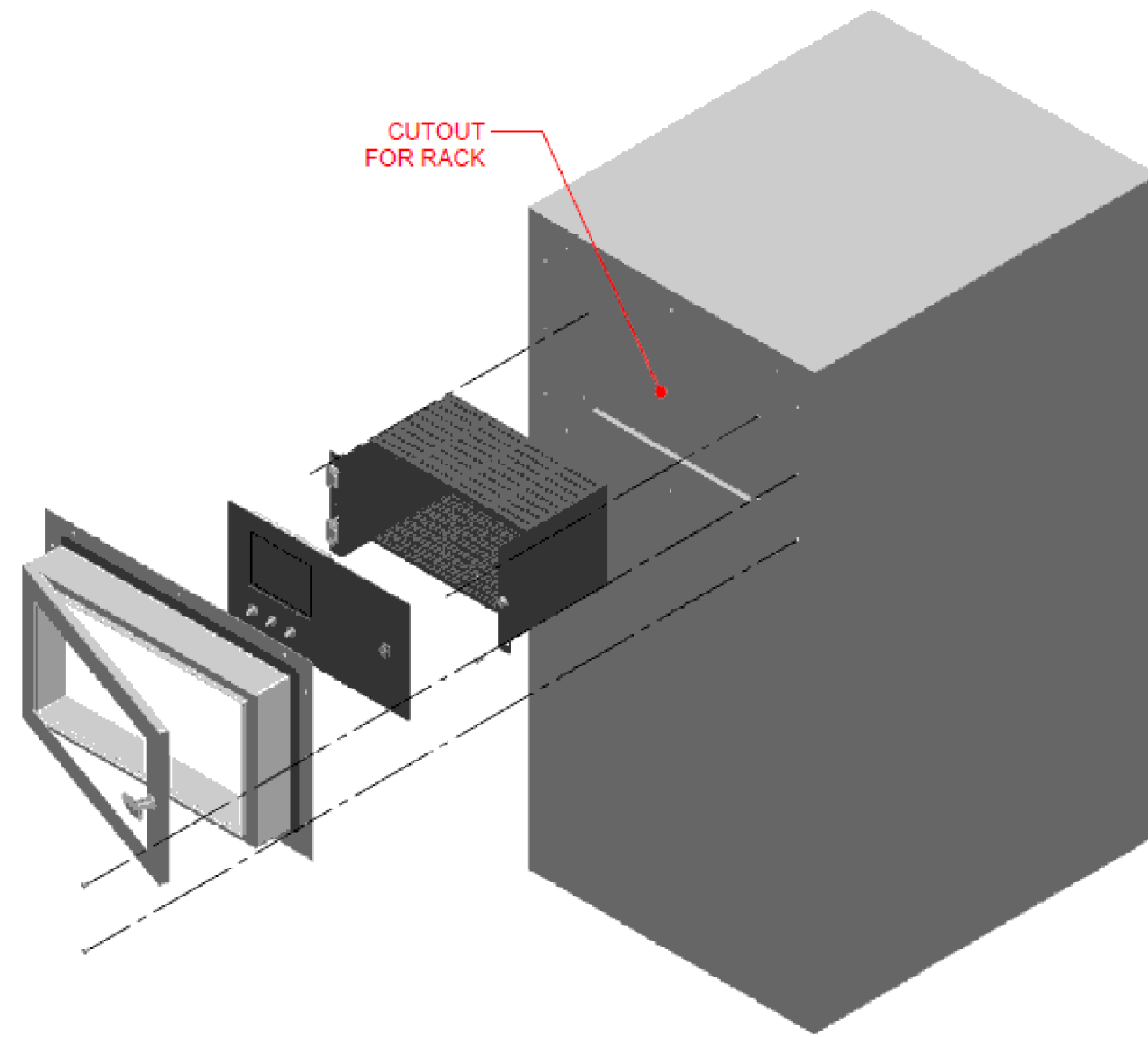
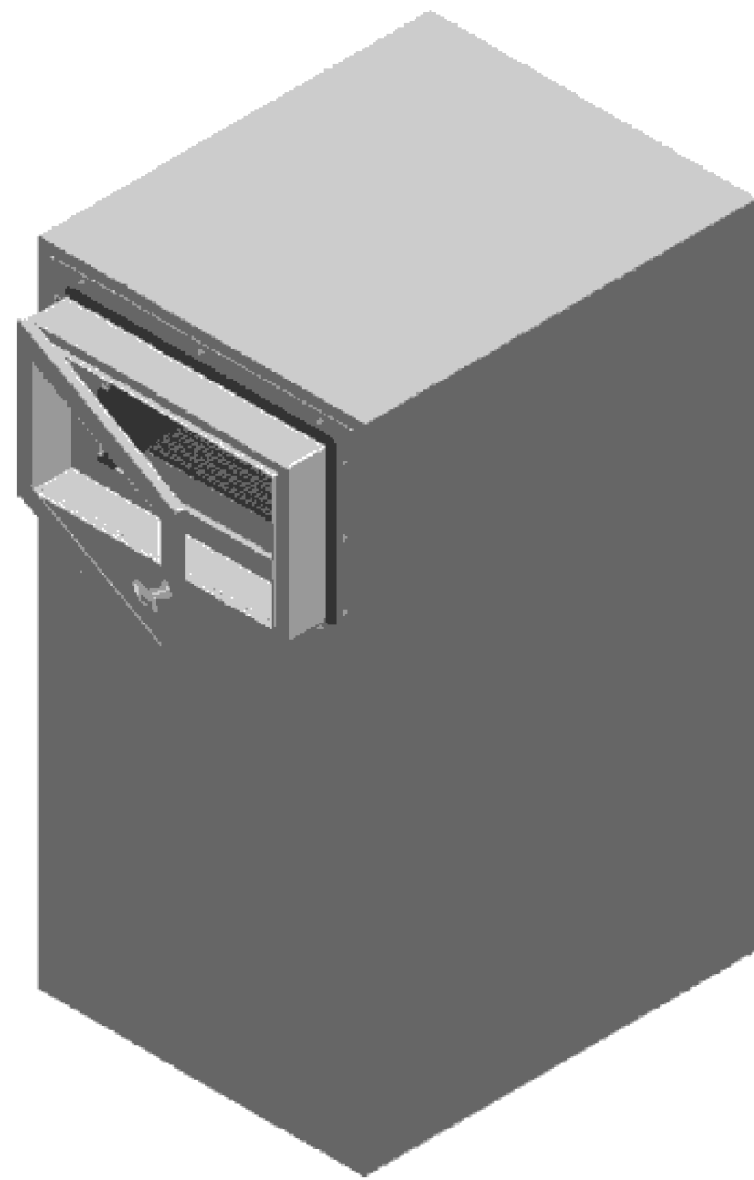
24" HOUSING W/HALF RACK & TWO 180W PWR SUPPLIES




18" HOUSING W/QUARTER RACK & TWO 90W PWR SUPPLIES



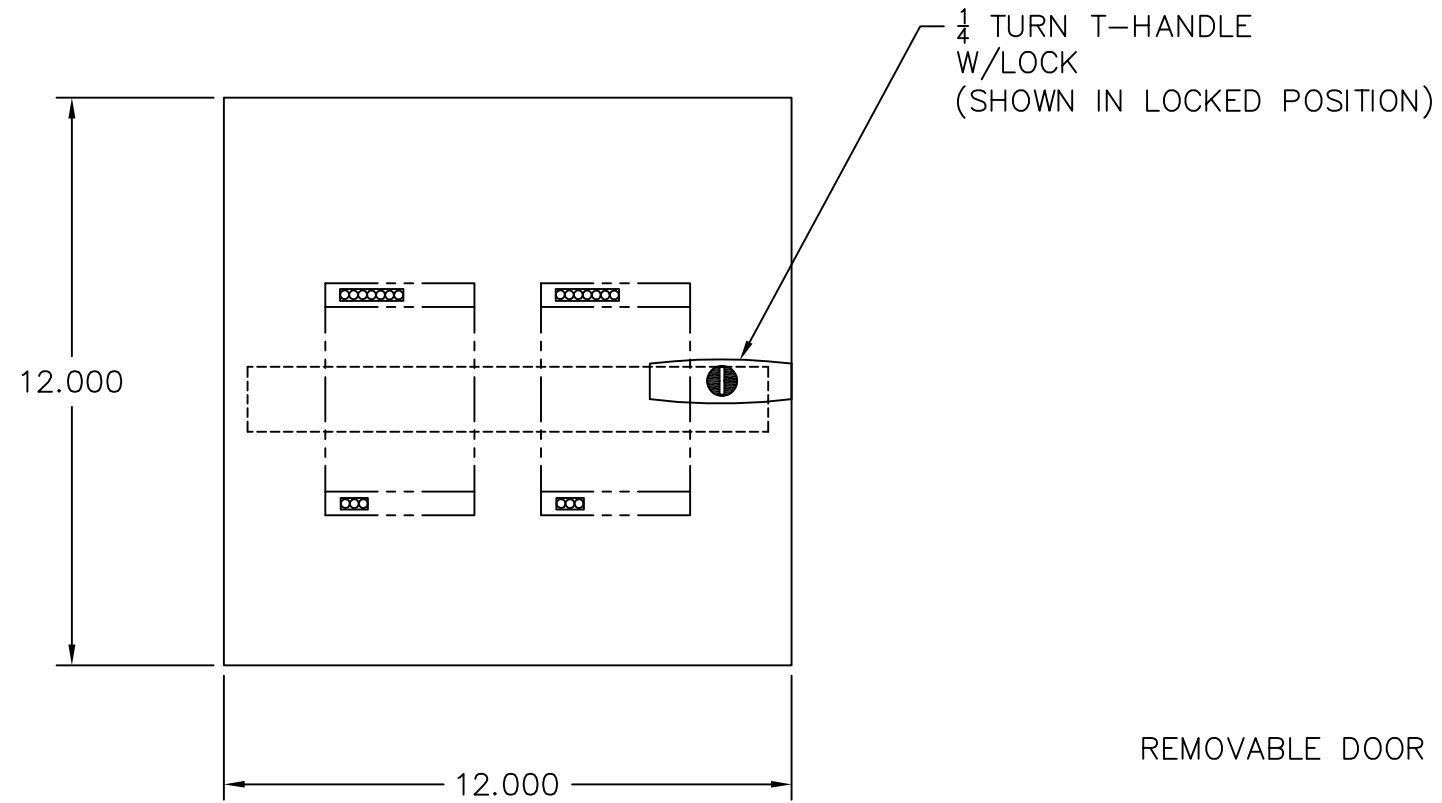
VC-8000/WPH WEATHERPROOF ENCLOSURE
W/POWER SUPPLIES



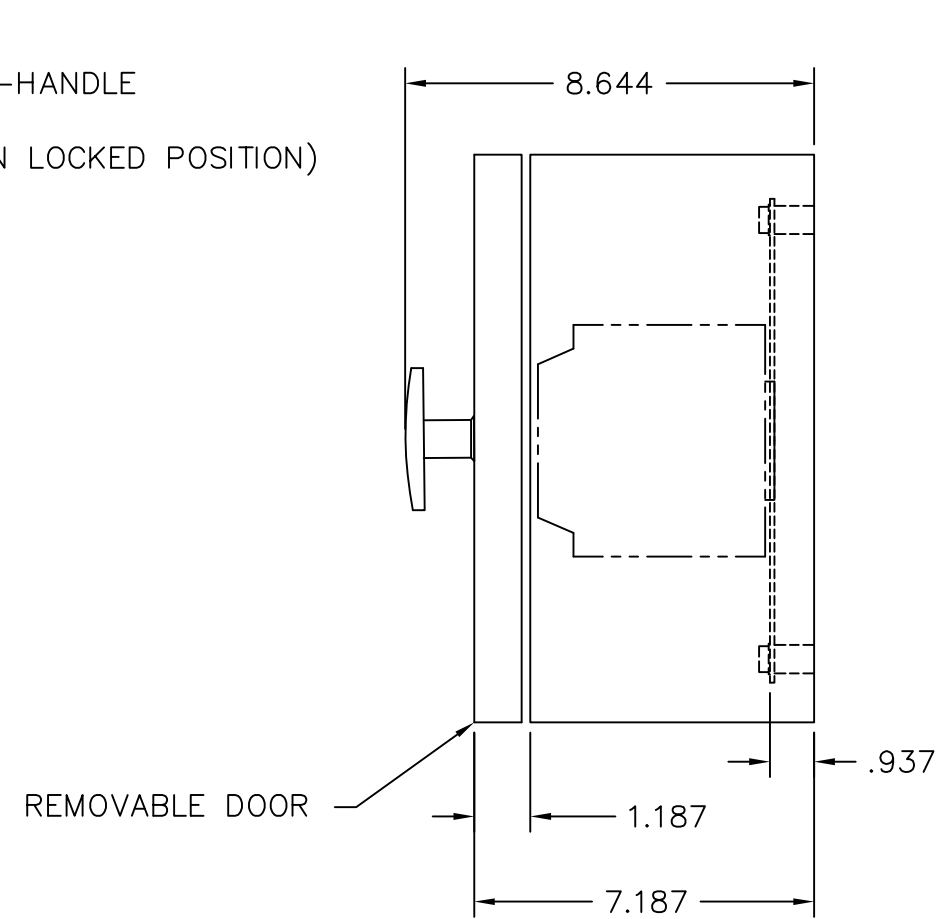
VC-8000/WPH WEATHERPROOF DOOR KIT
(TYPICAL)

 Briel & Kjaer Vibro		BK VIBRO AMERICA INC. MINDEN, NV USA
VC-8000/RCK OUTLINE & DIMENSION		
SIZE B	PART NO.: 1089867	REV. 001
SCALE: 1:1	DOCUMENT NO.: S1089867	SHEET: 10 of 17

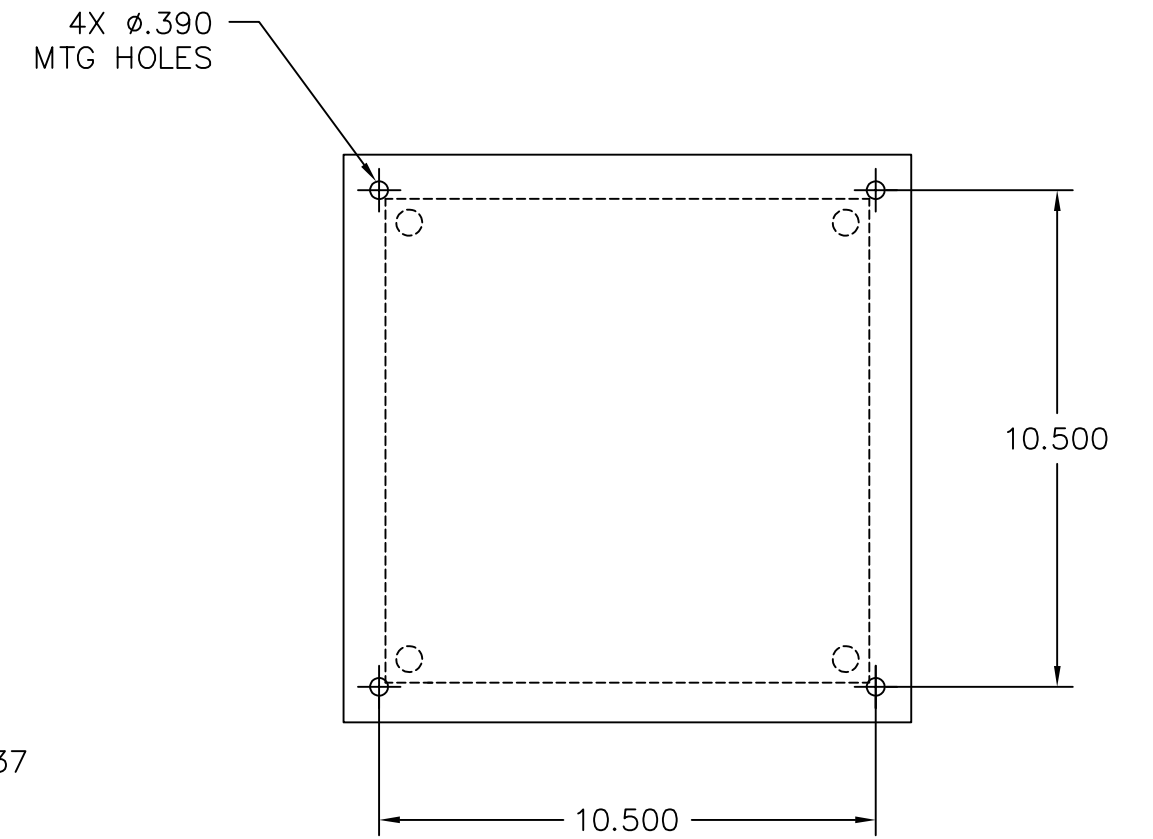
FRONT VIEW



RIGHT SIDE VIEW

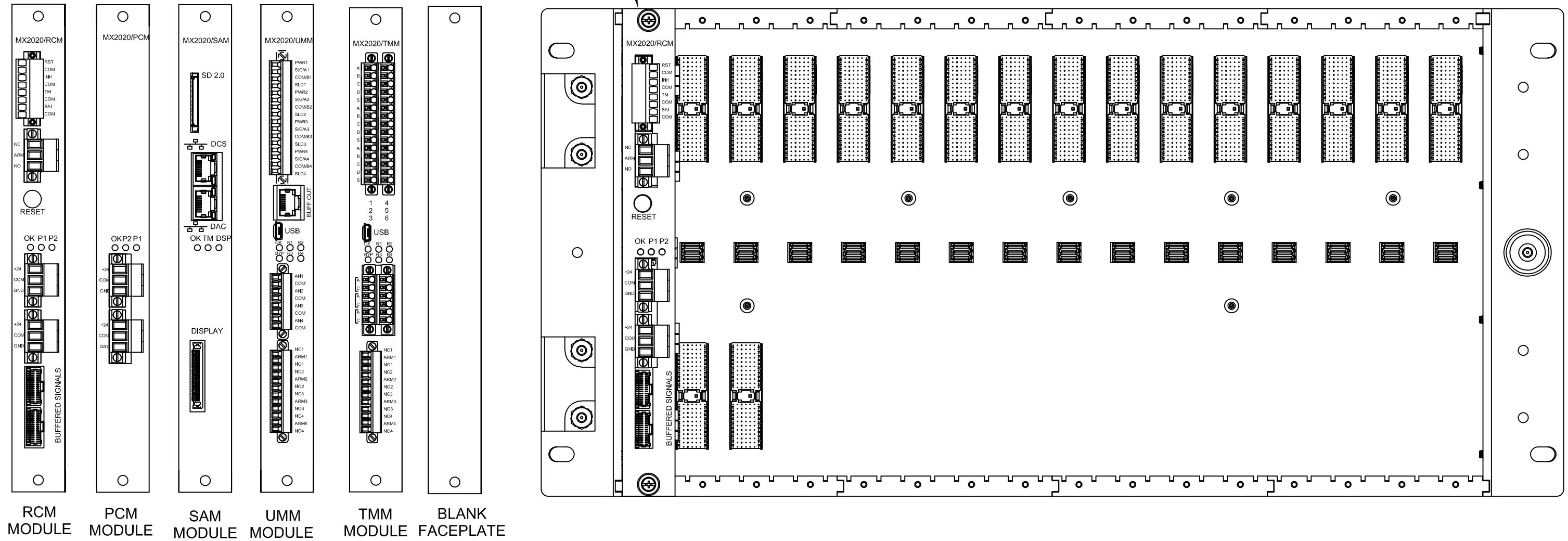


REAR VIEW



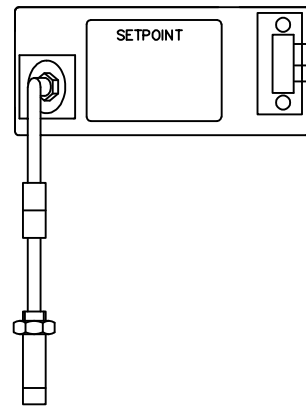
VC-8000/PSH POWER SUPPLY ENCLOSURE

RCM MODULE STANDARD
IN EACH RACK

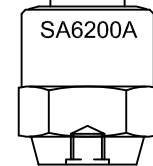


MODULE/CARD LAYOUT

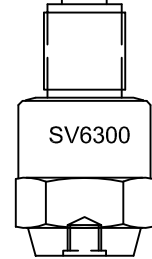
3 WIRE PROXIMITY



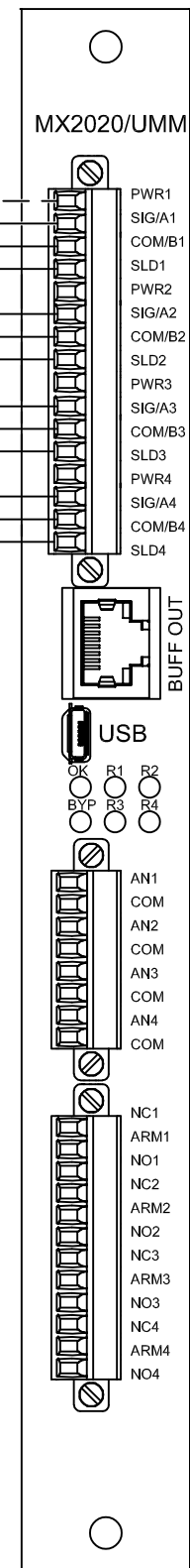
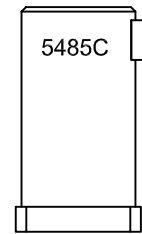
2 WIRE CONSTANT CURRENT ACCELERATION



2 WIRE CONSTANT CURRENT PIEZO VELOCITY

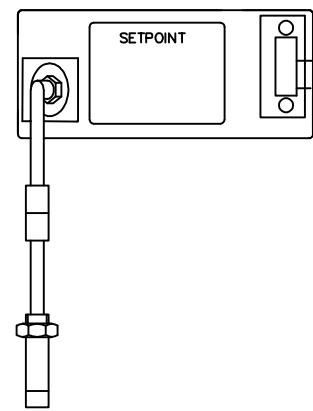


2 WIRE MOVING COIL VELOCITY

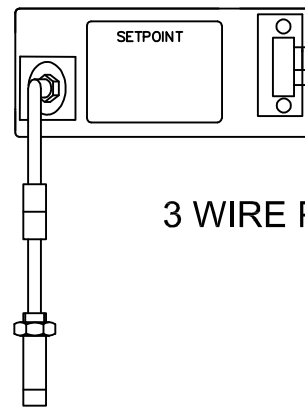


WIRING DIAGRAM - 1

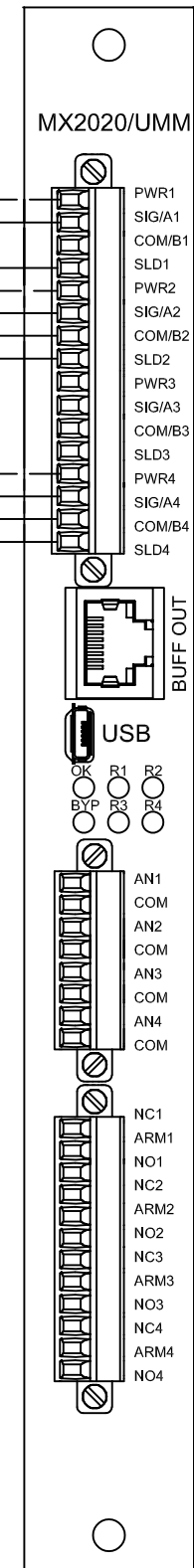
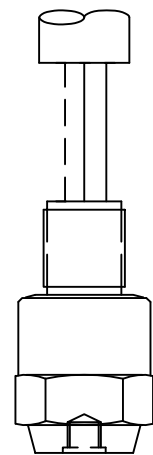
2 WIRE PROXIMITY



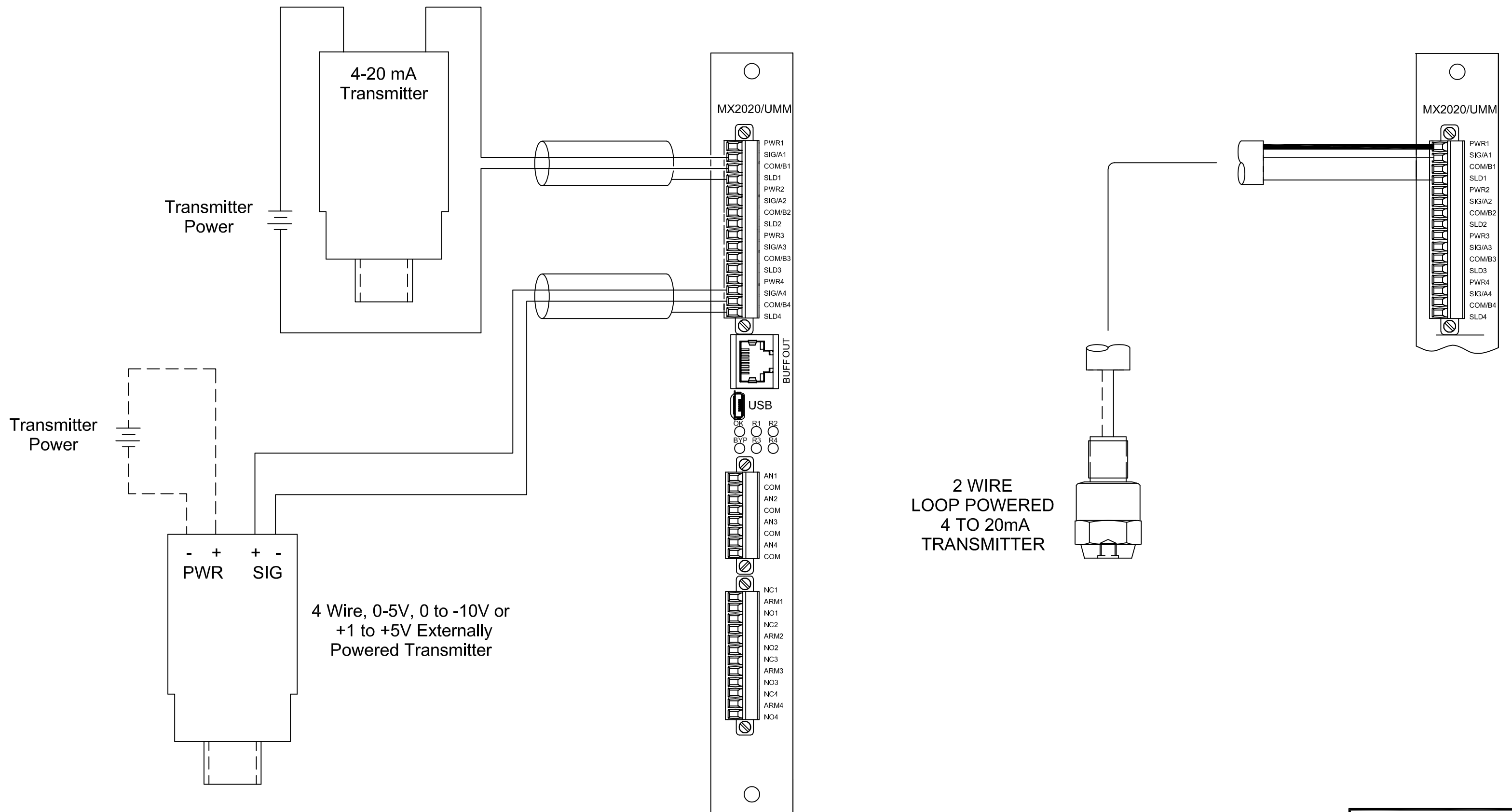
3 WIRE PROXIMITY



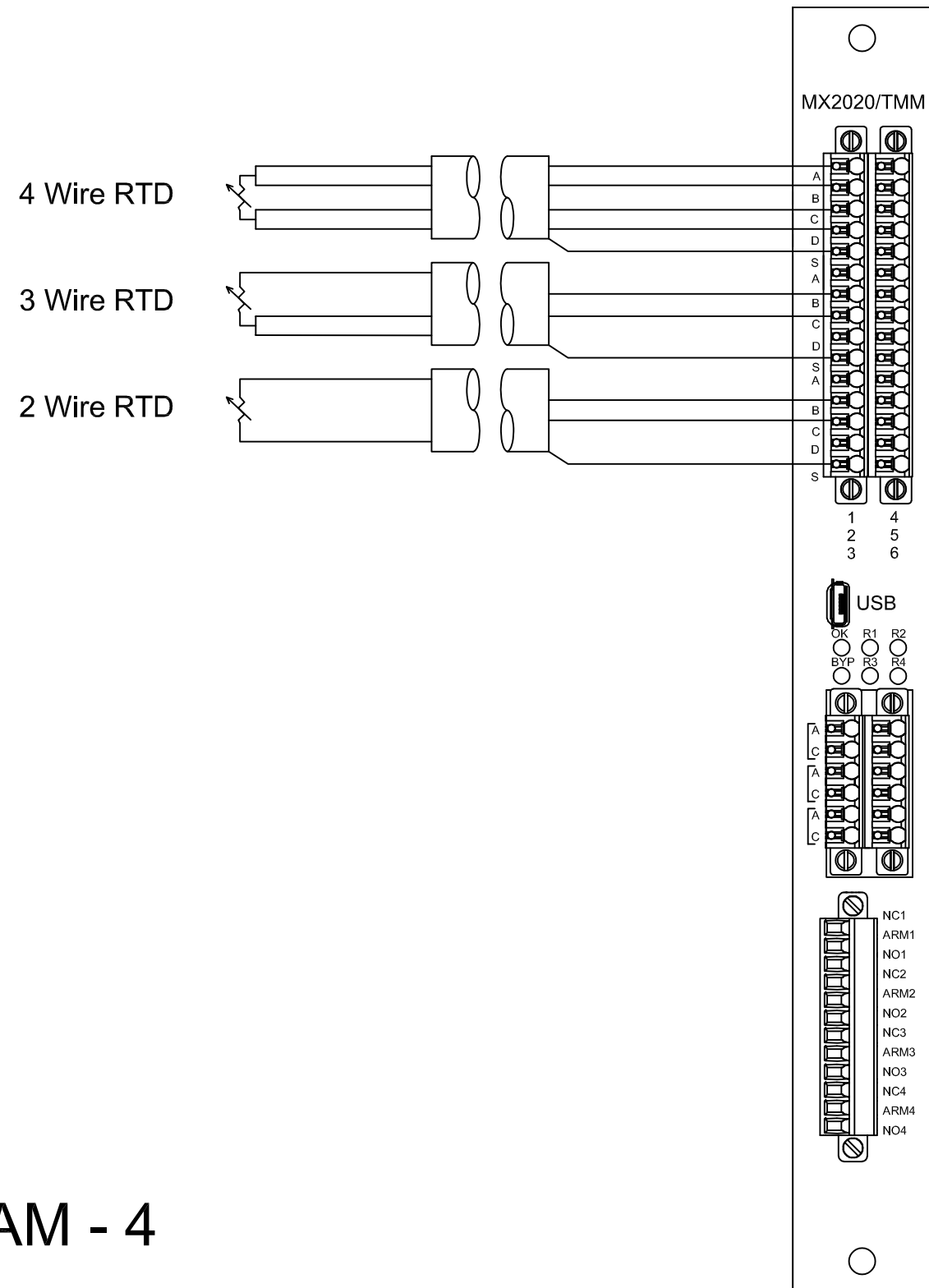
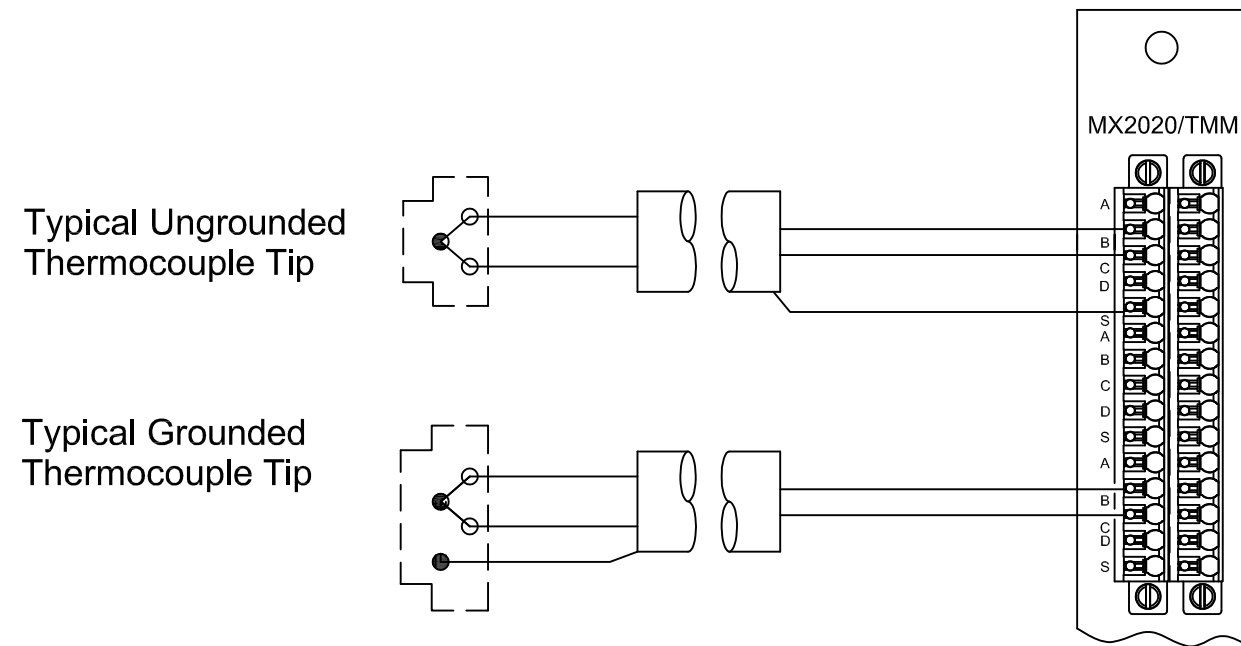
3 WIRE
VOLTAGE MODE
ACCELERATION



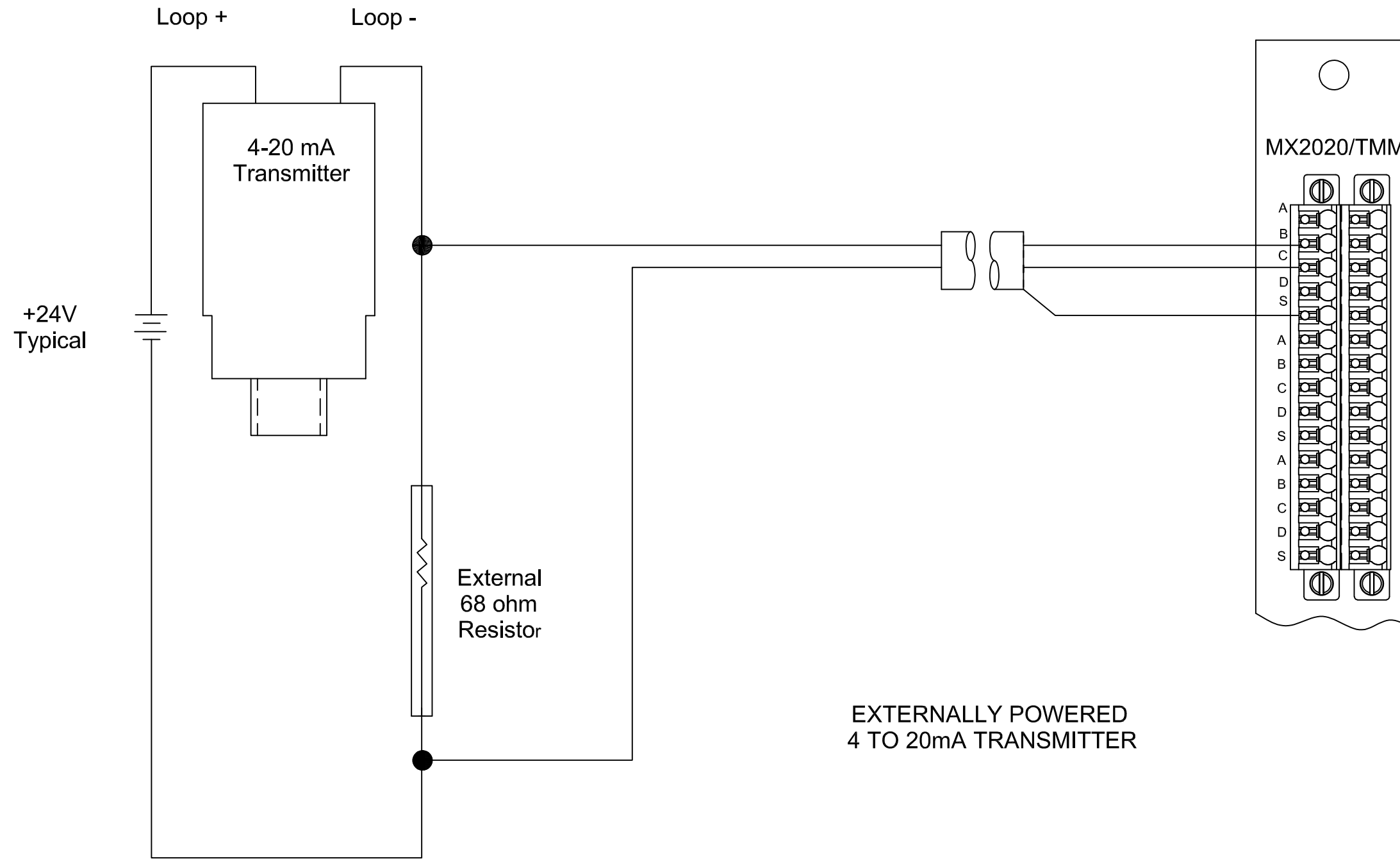
WIRING DIAGRAM - 2




WIRING DIAGRAM - 3



WIRING DIAGRAM - 4



WIRING DIAGRAM - 5

 Briel & Kjaer Vibro		BK VIBRO AMERICA INC. MINDEN, NV USA
VC-8000/RCK OUTLINE & DIMENSION		
SIZE B	PART NO.: 1089867	REV. 001
SCALE: 1:1	DOCUMENT NO.: S1089867	SHEET: 17 of 17